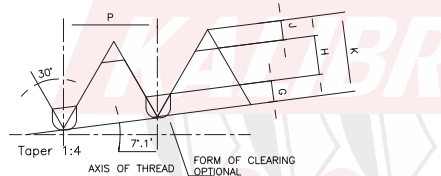


OIL INDUSTRY - GAUGES FOR ROTARY DRILL STEM ELEMENTS

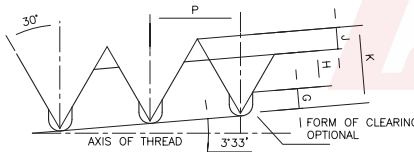
Application : These threads are used for rotary shouldered connections, stem elements & compounds of Rotary drill.

SPECIFICATION :

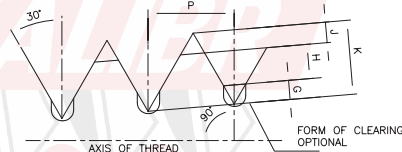
API Spec 7/2 – 2002



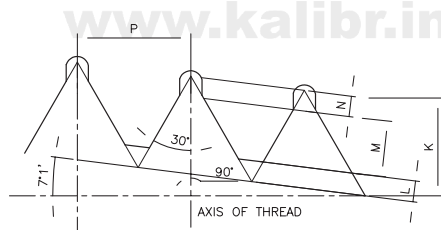
API Thread Profile of Plug Taper 1:4



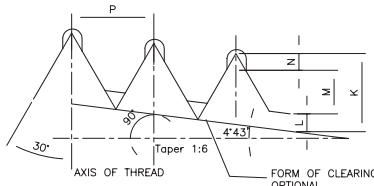
API Thread Profile of Plug Taper 1:6



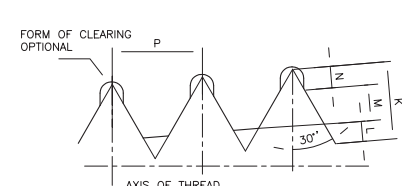
API Thread Profile of Plug Taper 1:8



API Thread Profile of Ring Taper 1:4



API Thread Profile of Ring Taper 1:6



API Thread Profile of Ring Taper 1:8

MANUFACTURING RANGE

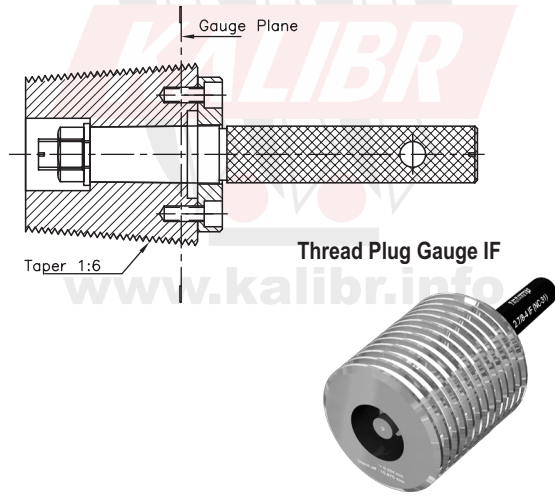
Identification No. & Size	TPI	Taper mm/m on Dia.
NC 20	4	1:6
NC 23	4	1:6
NC 26 (2.3/8")	4	1:6
NC 31 (2.7/8" IF)	4	1:6
NC 35	4	1:6
NC 38 (3.1/2" IF)	4	1:6
NC 40 (4" FH)	4	1:6
NC 44	4	1:6
NC 46 (4" IF)	4	1:6
NC 50 (4.1/2" IF)	4	1:6
NC 56	4	1:4
NC 61	4	1:4
NC 70	4	1.4
NC 77	4	1.4
1 REG	6	1.8
1.1/2 REG	6	1.8
2.3/8" REG	5	1.4
2.7/8" REG	5	1.4
3.1/2" REG	5	1.4
4.1/2" REG	5	1.4
5.1/2" REG	4	1.4
6.5/8" REG	4	1.6
7.5/8" REG	4	1.4
8.5/8" REG	4	1.4
3.1/2 FH	5	1.4
4.1/2 FH	5	1.4
5.1/2 FH	4	1.6
6.5/8" FH	4	1.6

GAUGES FOR BECO THREADS CAN BE SUPPLIED, IF REQUESTED BY CUSTOMERS.

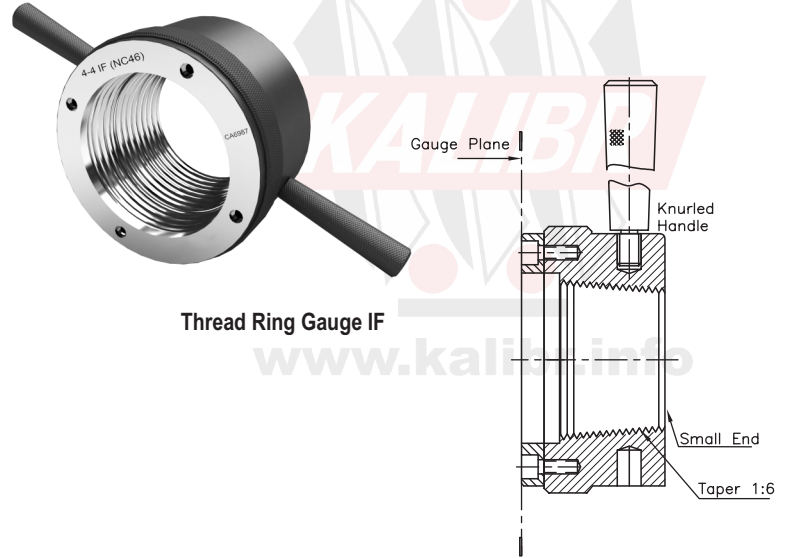
IF - Internal Flush,
FH - Full Hole
REG - Regular

OIL INDUSTRY - GAUGES FOR ROTARY DRILL STEM ELEMENTS

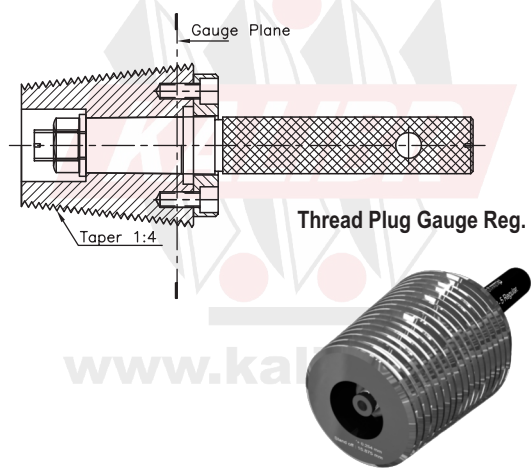
Application : These threads are used for rotary shouldered connections, stem elements & compounds of Rotary drill.



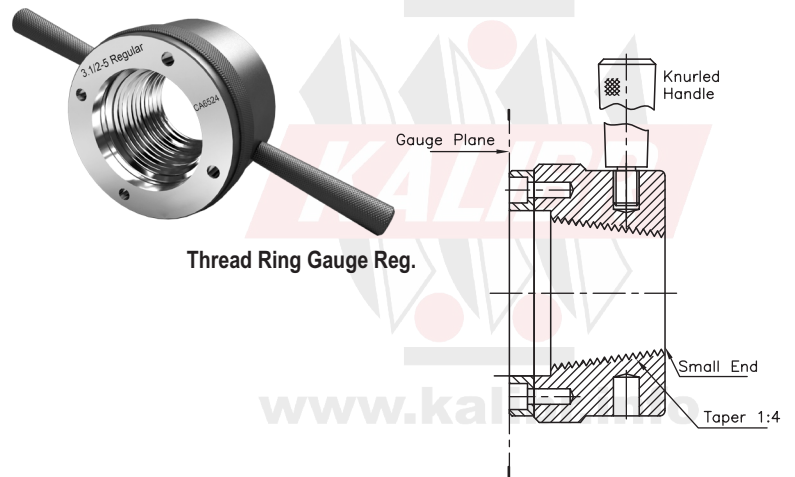
Thread Plug Gauge IF



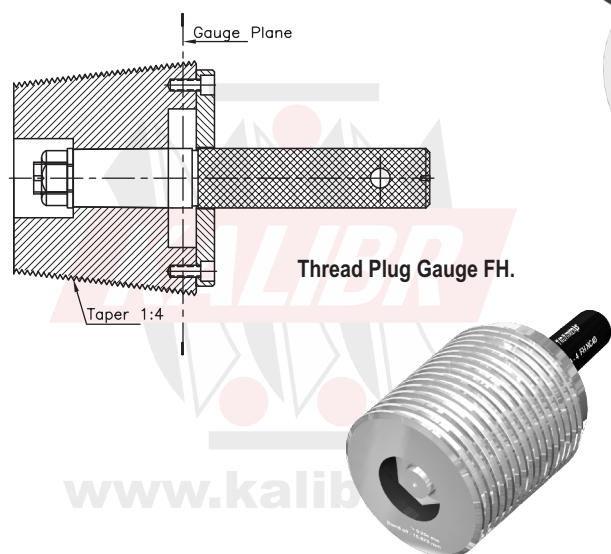
Thread Ring Gauge IF



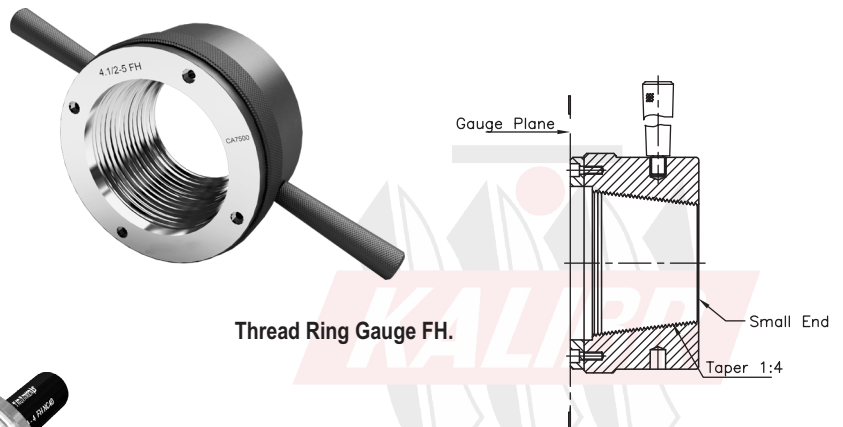
Thread Plug Gauge Reg.



Thread Ring Gauge Reg.



Thread Plug Gauge FH.



Thread Ring Gauge FH.